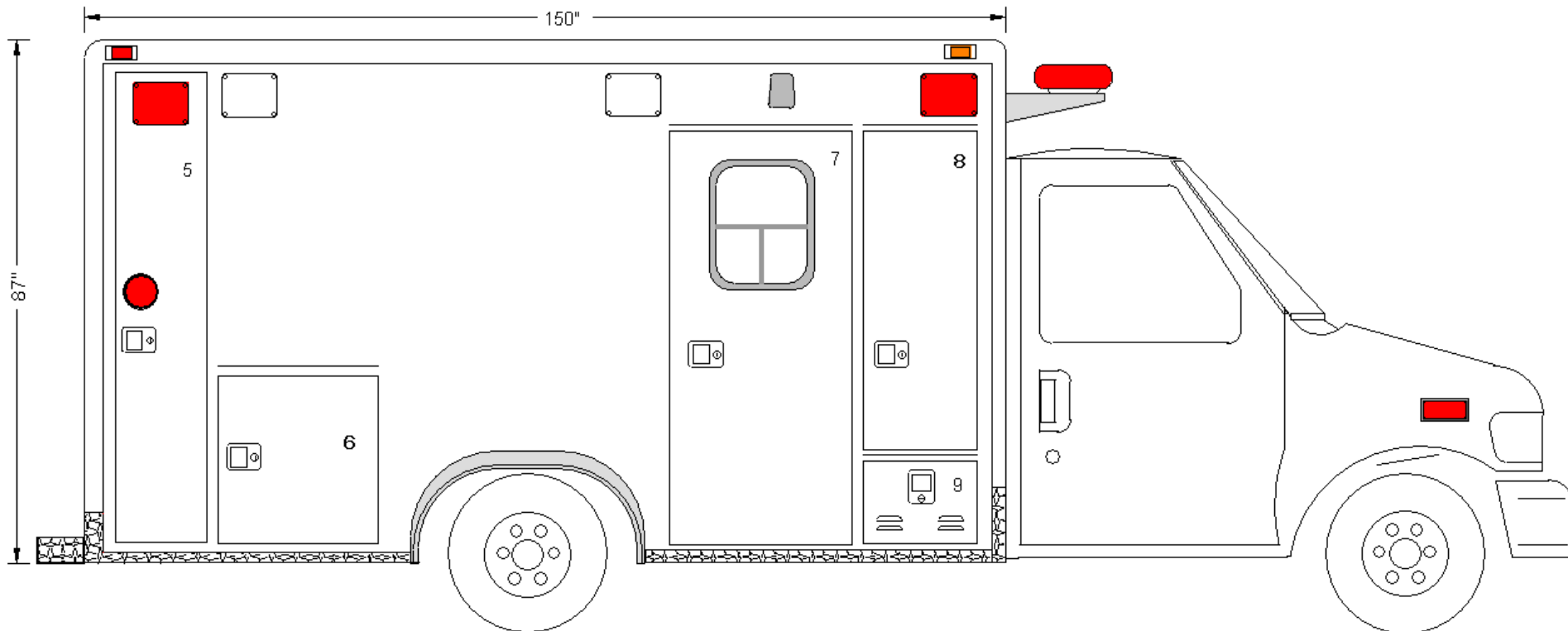
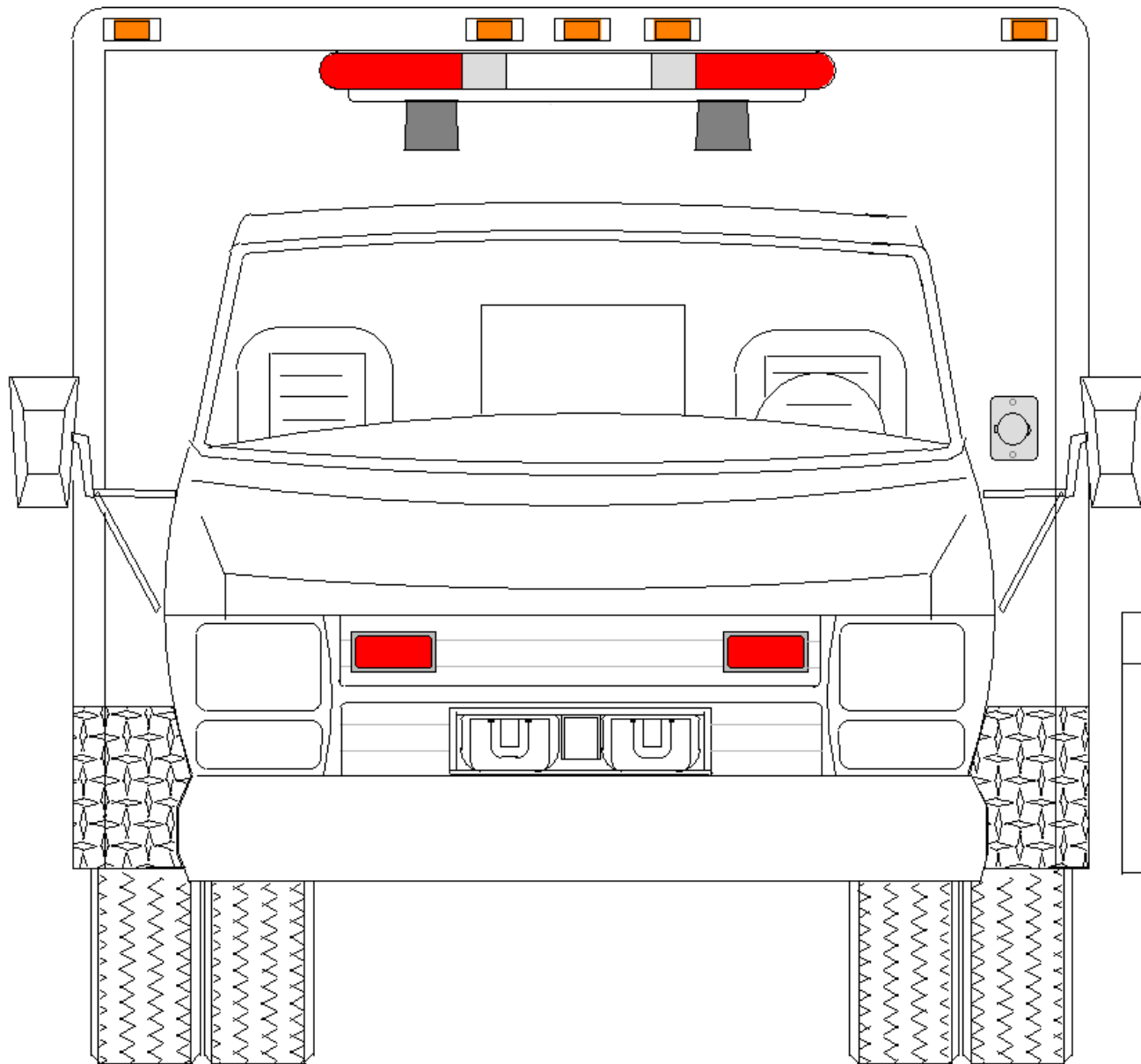


TAYLOR MADE AMBULANCE				NOTES
INSIDE FRAME DIMENSIONS				GM TYPE III 150" MODULE 68" HEADROOM STREETSIDE EXTERIOR 2009
#	HEIGHT	WIDTH	DEPTH	
1	70"	19.5"	20"	
2	36.5"	31.75"	5"	
3	31.5"	22.25"	16"	
4	31.5"	37.75"	16"	



TAYLOR MADE AMBULANCE				NOTES
INSIDE FRAME DIMENSIONS				GM TYPE III
#	HEIGHT	WIDTH	DEPTH	150" MODULE 68" HEADROOM CURBSIDE EXTERIOR 2009
5	80"	15"	20"	
6	29"	25.75"	16"	
7	70"	30.75"	14" STEPWELL	
8	55"	18.25"	ALS	
9	13"	18.25"	BATTERIES	



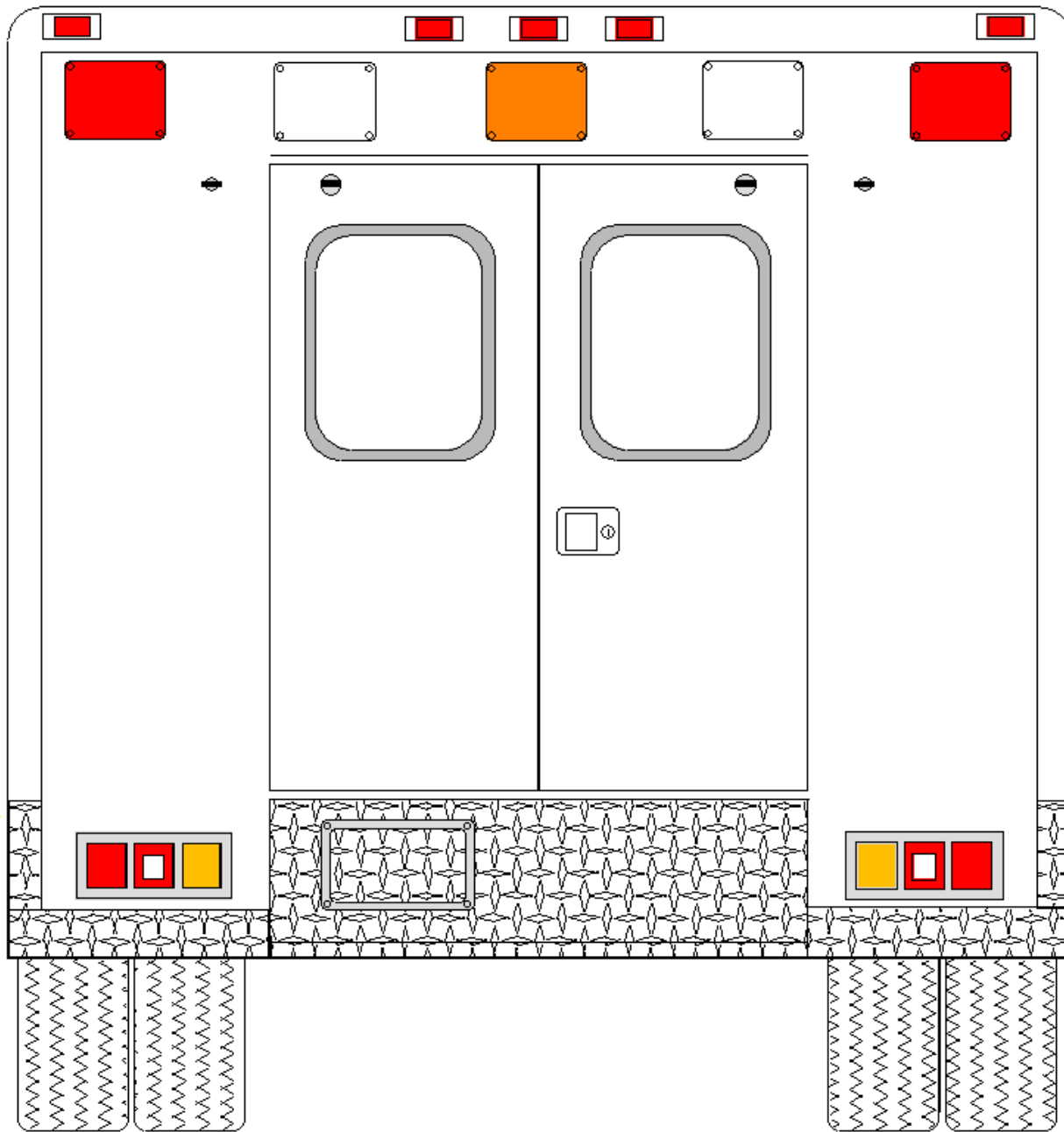
TAYLOR MADE AMBULANCE

GM TYPE III

150" MODULE 68" HEADROOM

FRONT EXTERIOR

2009



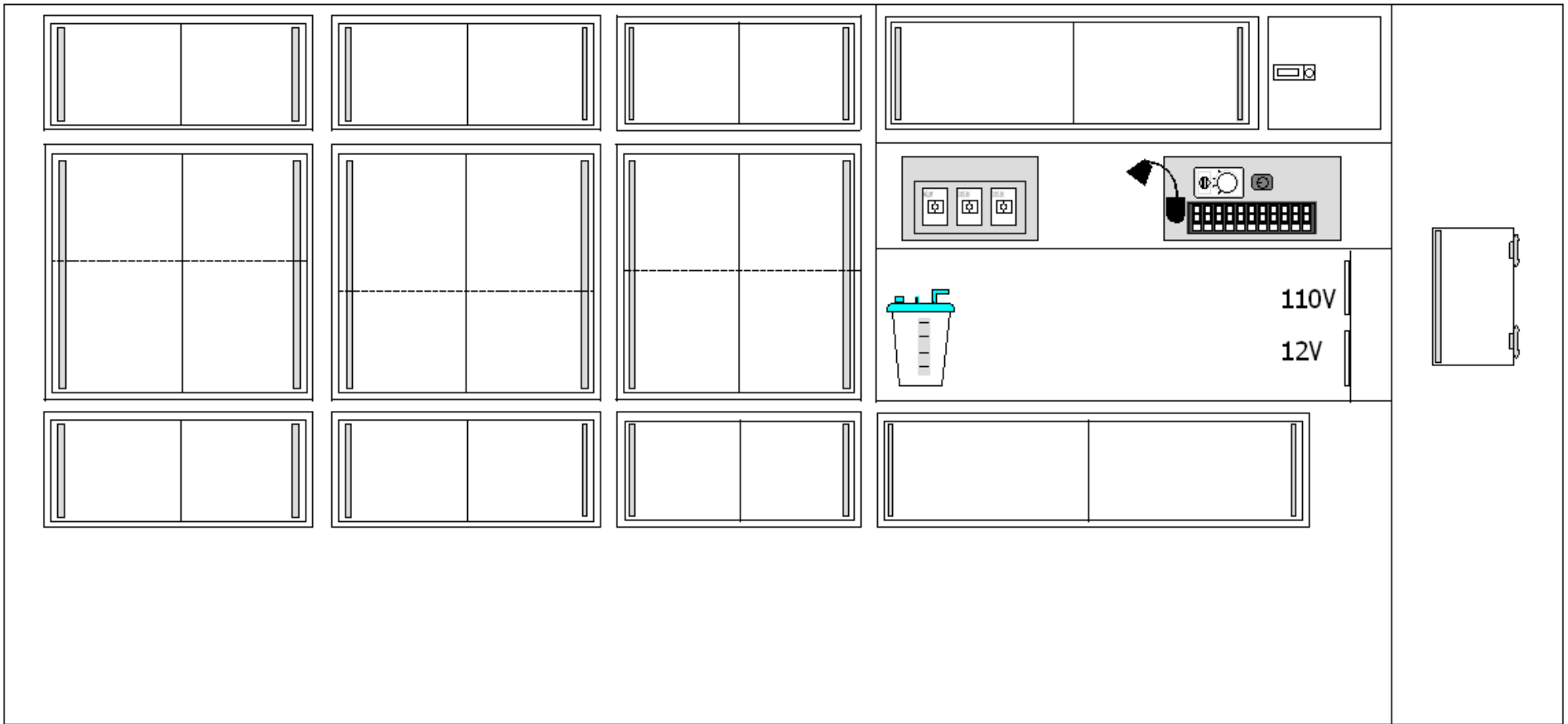
TAYLOR MADE AMBULANCE

GM TYPE III

150" MODULE 68" HEADROOM

REAR EXTERIOR

2009



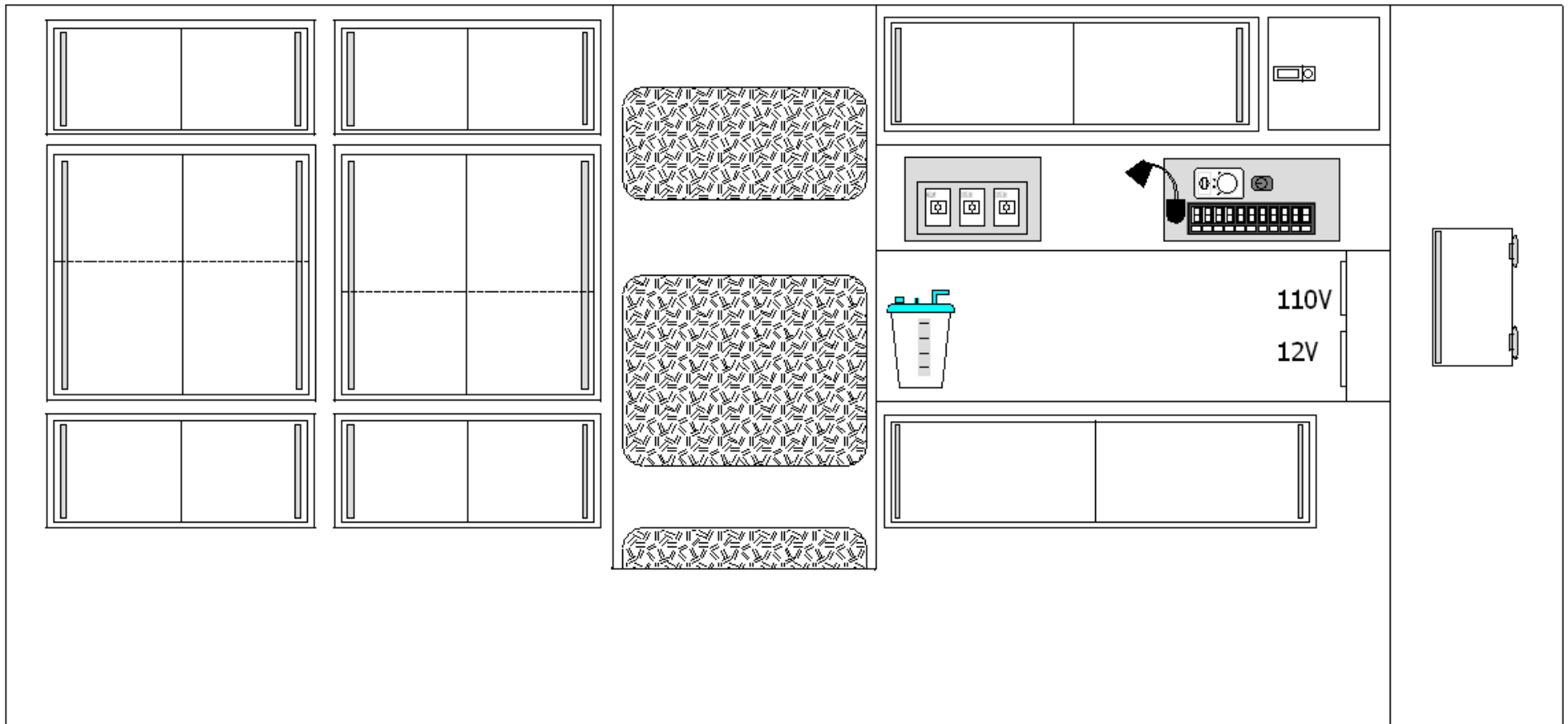
TAYLOR MADE AMBULANCE

GM TYPE III

150" MODULE 68" HEADROOM

LEFT WALL #1

2009



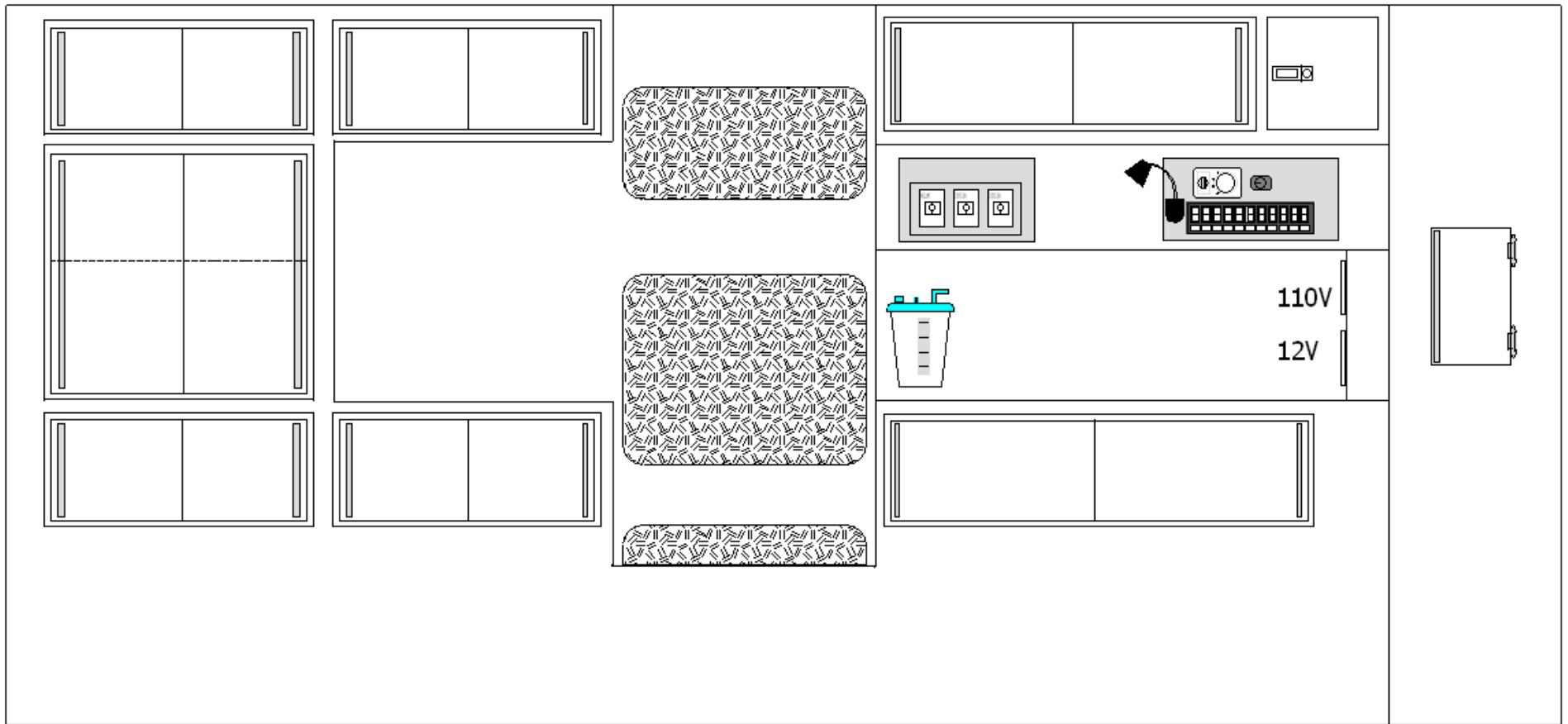
TAYLOR MADE AMBULANCE

GM TYPE III

150" MODULE 68" HEADROOM

LEFT WALL #2

2009



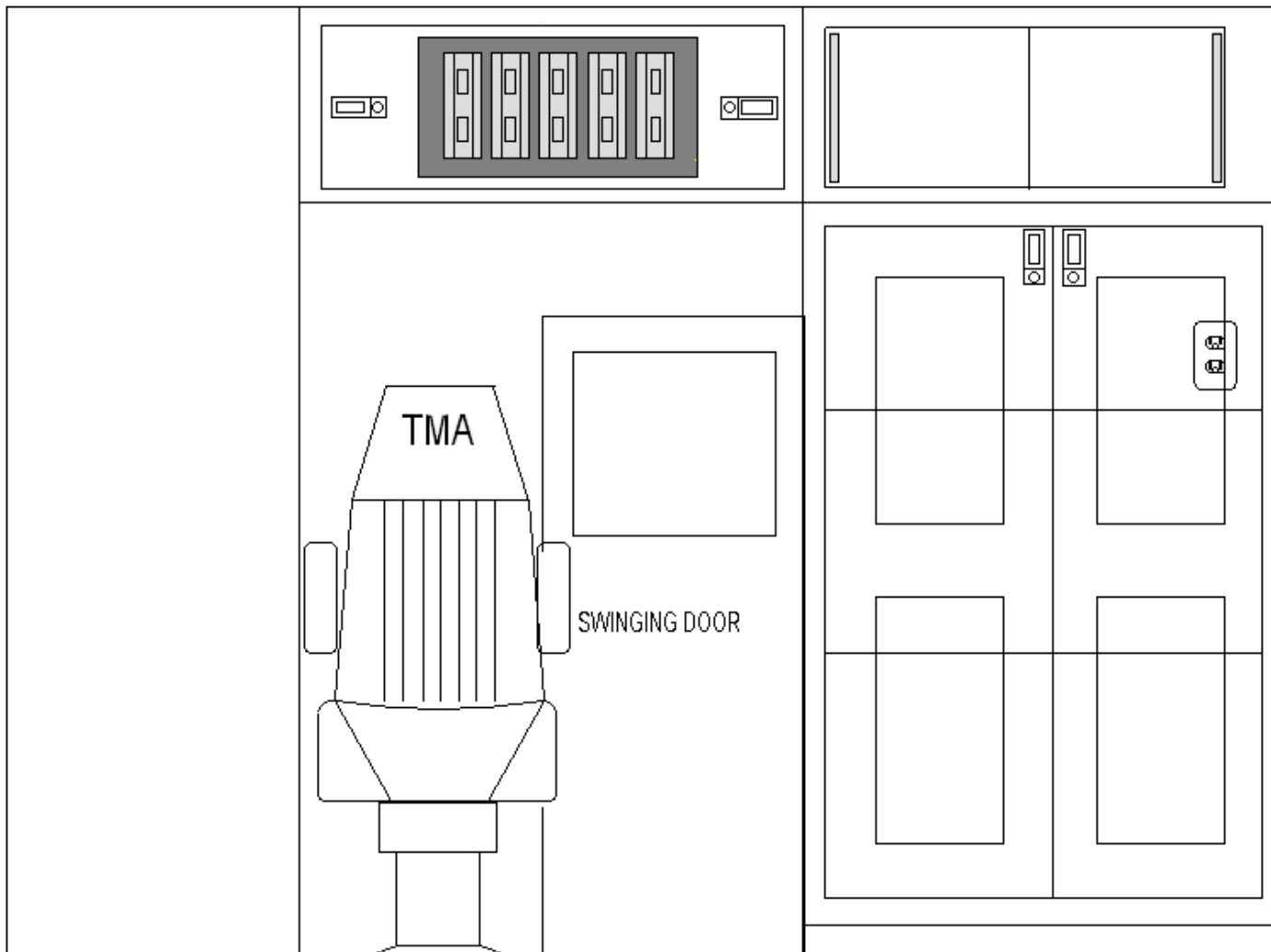
TAYLOR MADE AMBULANCE

GM TYPE III

150" MODULE 66" HEADROOM

LEFT WALL #3

2009



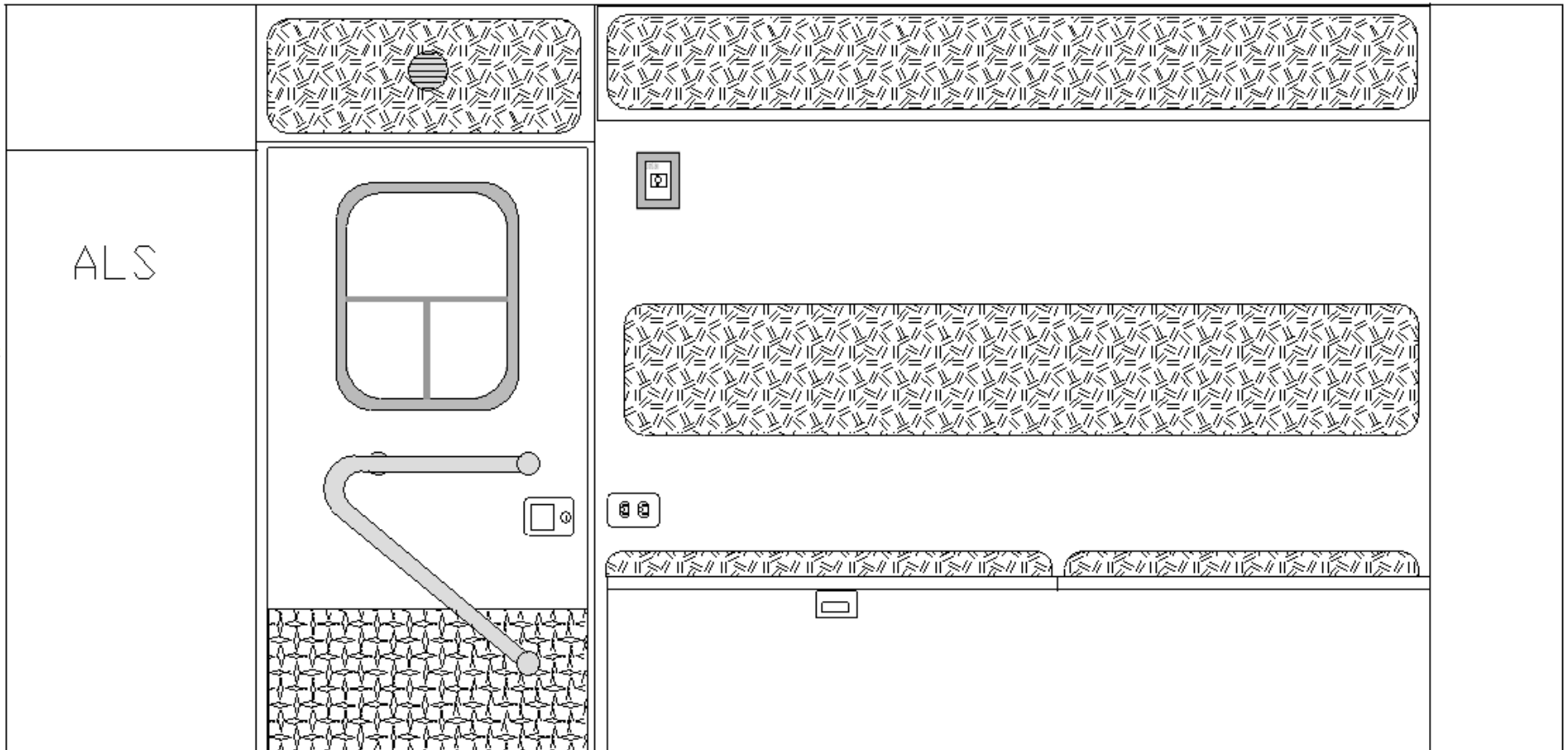
TAYLOR MADE AMBULANCE

GM TYPE III

150" MODULE 68" HEADROOM

FRONT WALL

2009



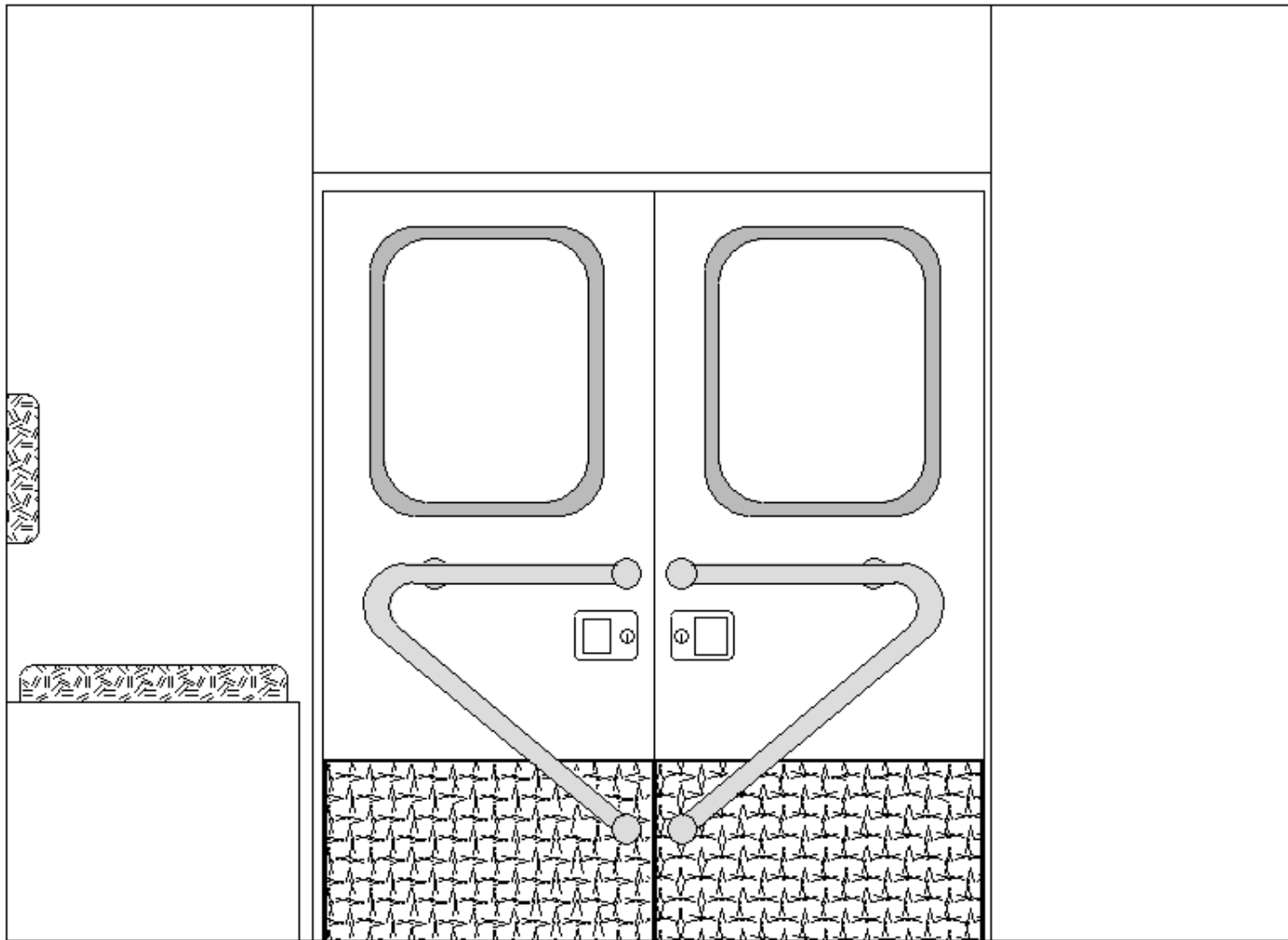
TAYLOR MADE AMBULANCE

GM TYPE III

150" MODULE 68" HEADROOM

RIGHT WALL

2009



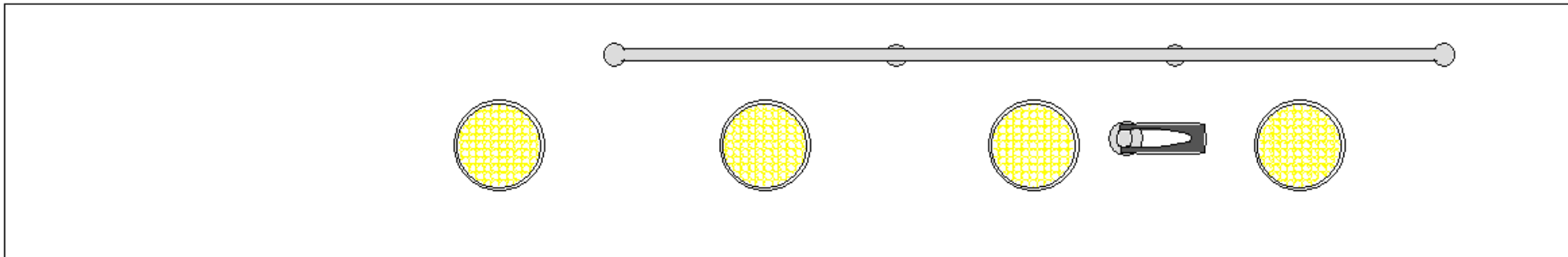
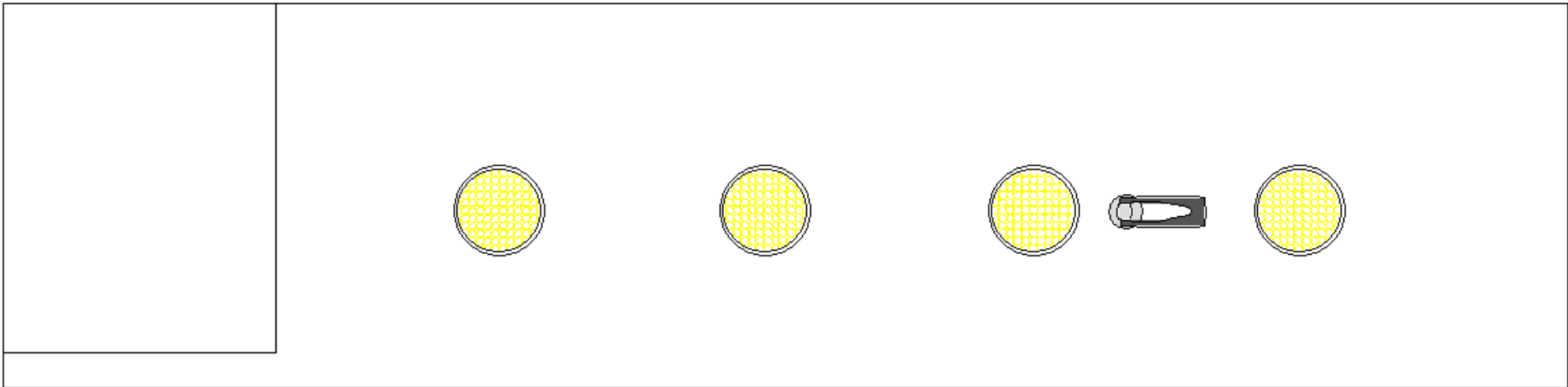
TAYLOR MADE AMBULANCE

GM TYPE III

150" MODULE 68" HEADROOM

REAR WALL

2009



TAYLOR MADE AMBULANCE
GM TYPE III
150" MODULE 68" HEADROOM
CEILING
2009